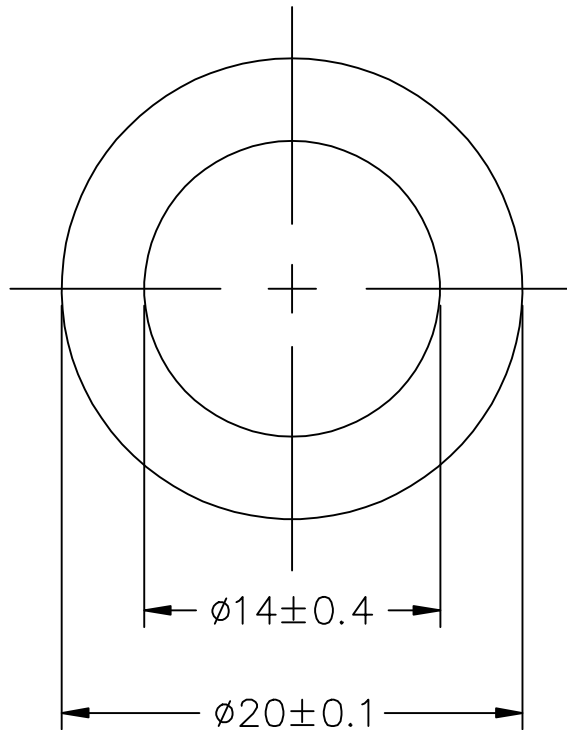


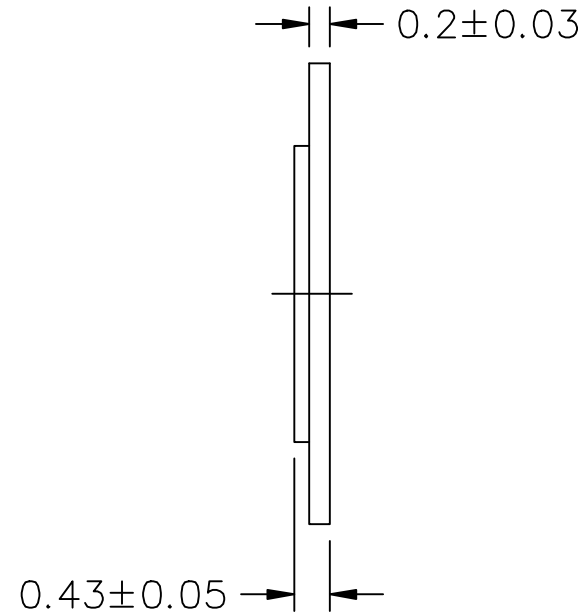
THIS DOCUMENT CONTAINS DATA PROPRIETARY TO PROJECTS UNLIMITED, INC. ANY USE OR REPRODUCTION, IN ANY FORM, WITHOUT PRIOR WRITTEN PERMISSION OF PROJECTS UNLIMITED, INC. IS PROHIBITED.  
 ©2003, Projects Unlimited Inc.

### SPECIFICATIONS

PARAMETERS	VALUES	UNITS
RESONANT FREQUENCY	7,200±300	Hz
RESONANT IMPEDANCE (MAX)	300	Ohm
MAX INPUT VOLTAGE	30	Vp-p
CAPACITANCE @ 1KHz	10,000±30%	pF
PLATE MATERIAL	STAINLESS STEEL	-
OPERATING TEMPERATURE	-20 ~ +60	°C
STORAGE TEMPERATURE	-20 ~ +70	°C




REVISIONS			
LTR	DESCRIPTION	DATE	APPROVED
-	RELEASED FROM ENGINEERING	11/6/01	
A	REVISED TO NEW TEMPLATE	9/16/03	R.W.
B	REVISED SPECIFICATIONS	1/12/04	R.W.
C	REVISED PLATE MATERIAL	6/15/05	B.R.
D	REVISED DIMENSION SIZE AND STYLE	01/19/06	B.R.
E	REVISED CERAMIC DIMENSION	9/24/07	R.W.



NOTES:

1. ALL DIMENSIONS ARE IN MILLIMETERS.
2. SPECIFICATION SUBJECT TO CHANGE OR WITHDRAWAL WITHOUT NOTICE.

FILE NAME  
 AB2072S.DWG

UNLESS OTHERWISE SPECIFIED: DIMENSIONS ARE IN MILLIMETERS, TOLERANCES ARE ±0.5 AND ANGLES ARE ±3°.		 <b>projects® unlimited</b>		Dayton, Ohio
		PIEZO CERAMIC BENDER		
APPROVALS	DATE	SIZE A	DRAWING NO. AB2072S	
DRAWN <i>RABL</i>	11/01			
APPROVED <i>S.J.</i>	11/01	SCALE: N.T.S.		
DO NOT SCALE DRAWING		SHEET 1 OF 1		